

# BLUE-VIOLET LASER DIODE

## DL-3146-151

### Tentative

# SANYO

Ver.2 Dec. 2004

#### Features

- Short wavelength : 405 nm (Typ.)
- Light Output: 5mW CW
- Low threshold current : I<sub>th</sub> = 30 mA (Typ.)
- Package :  $\phi 5.6$  mm

#### Applications

Industrial Use  
Laser module

#### Absolute Maximum Ratings

(T<sub>c</sub>=25°C)

Parameter		Symbol	Ratings	Unit
Light Output	CW	P <sub>o</sub>	7	mW
Reverse Voltage	Laser	V <sub>R</sub>	2	V
	PD		30	
Operating Temperature		T <sub>opr</sub>	-10 to +60	°C
Storage Temperature		T <sub>stg</sub>	-40 to +85	°C

#### Electrical and Optical Characteristics <sup>1) 2)</sup>

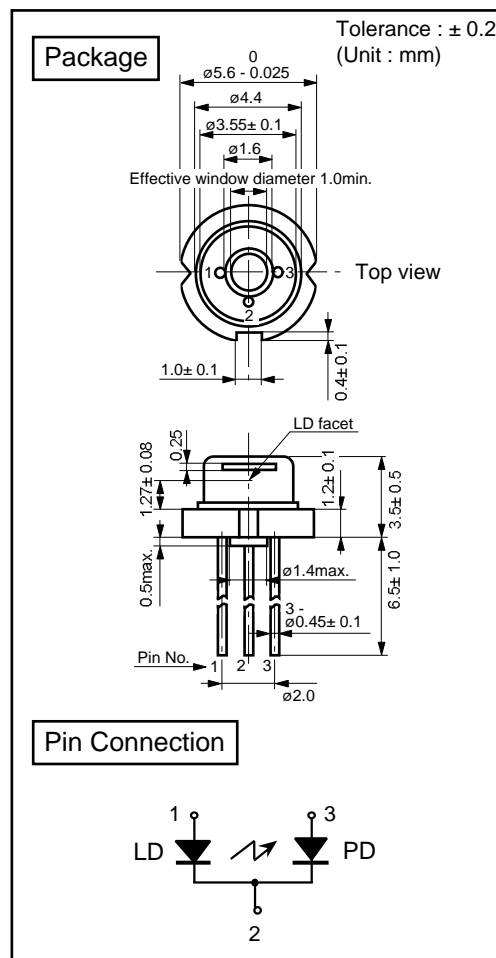
(T<sub>c</sub>=25°C)

Parameter		Symbol	Condition	Min.	Typ.	Max.	Unit
Threshold Current		I <sub>th</sub>	CW	-	30	60	mA
Operating Current		I <sub>op</sub>	P <sub>o</sub> =5mW	-	40	70	mA
Threshold Voltage		V <sub>th</sub>	CW	-	5.0	6.0	V
Operating Voltage		V <sub>op</sub>	P <sub>o</sub> =5mW	-	5.5	6.5	V
Lasing Wavelength		L <sub>p</sub>	P <sub>o</sub> =5mW	395	405	415	nm
Beam <sup>3)</sup> Divergence	Perpendicular	Q <sub>v</sub>	P <sub>o</sub> =5mW	16	20	28	°
	Parallel	Q <sub>h</sub>	P <sub>o</sub> =5mW	6	8	14	°
Off Axis Angle	Perpendicular	dQ <sub>v</sub>	-	-3	-	3	°
	Parallel	dQ <sub>h</sub>	-	-2	-	2	°
Differential Efficiency		SE	-	0.3	0.6	-	mW/mA
Monitoring Output Current		I <sub>m</sub>	P <sub>o</sub> =5mW	0.05	0.2	-	mA

1) Initial values 2) All the above values are evaluated with Tottori Sanyo's measuring apparatus

3) Full angle at half maximum

Note : The above product specification are subject to change without notice.



Tottori SANYO Electric Co., Ltd. Photonics Business Unit

5-318, Tachikawa, Tottori 680-8634 Japan TEL : +81-857-21-2137 FAX : +81-857-21-2161

Sales: Creative Technology Lasers USA

925.210.1330 Tele

925.210.1380 FAX