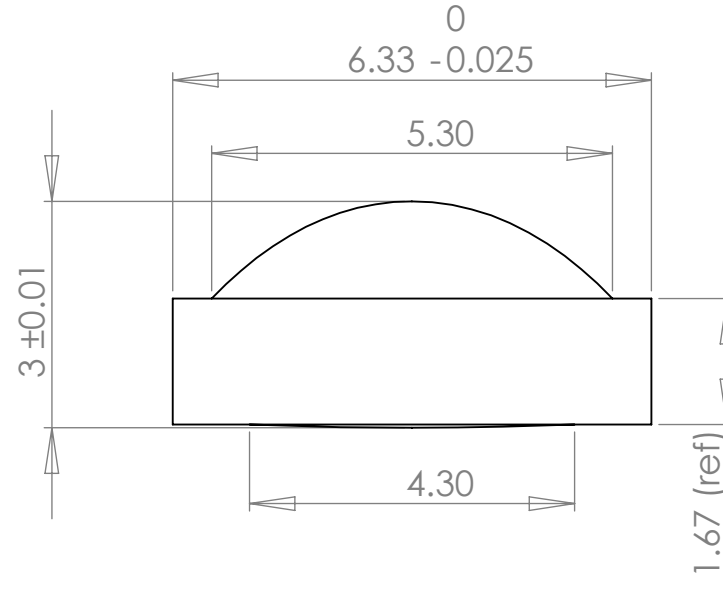


405-G-2



Glass Colimator Lens for Blue- Violet 405nm & Blue 445nm Laser Diodes

6.33mm dia., 4.00mm EFL, 2.40mm BFL, NA= 0.60, Multilayer "A" Coating is Standard

Creative Technology Lasers  
www.LASER66.com

